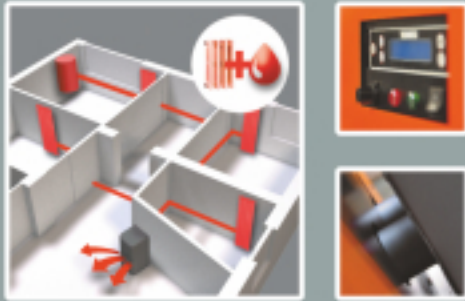


compactmatic 32



1572x(700+350)x872 9.1-29.4" 373 1.8-6" 120



SILOTHERM
mm
2179x756x987
920 kg

THERMOPUFFER 600
mm
1879x850x850

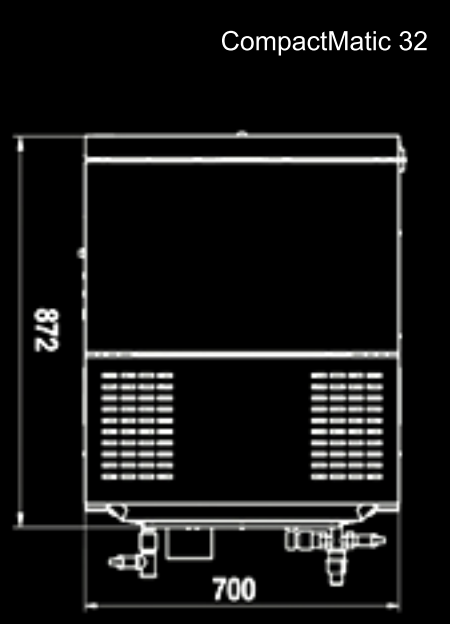
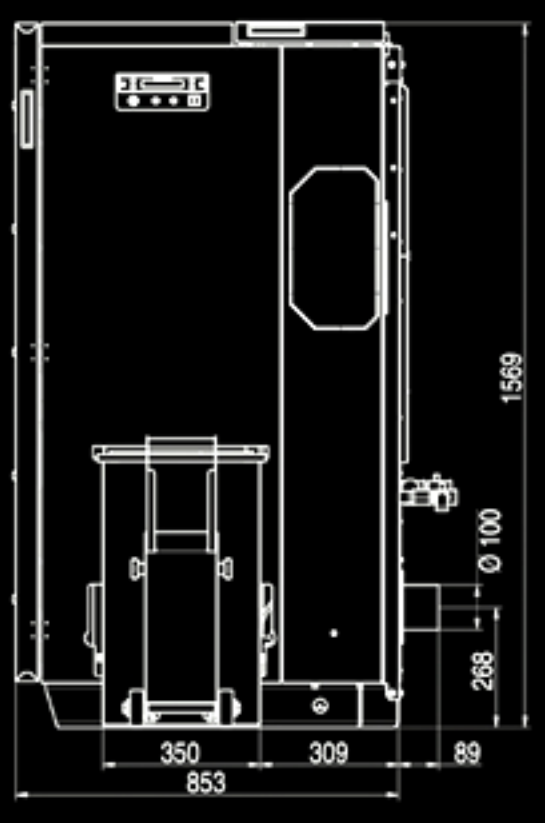
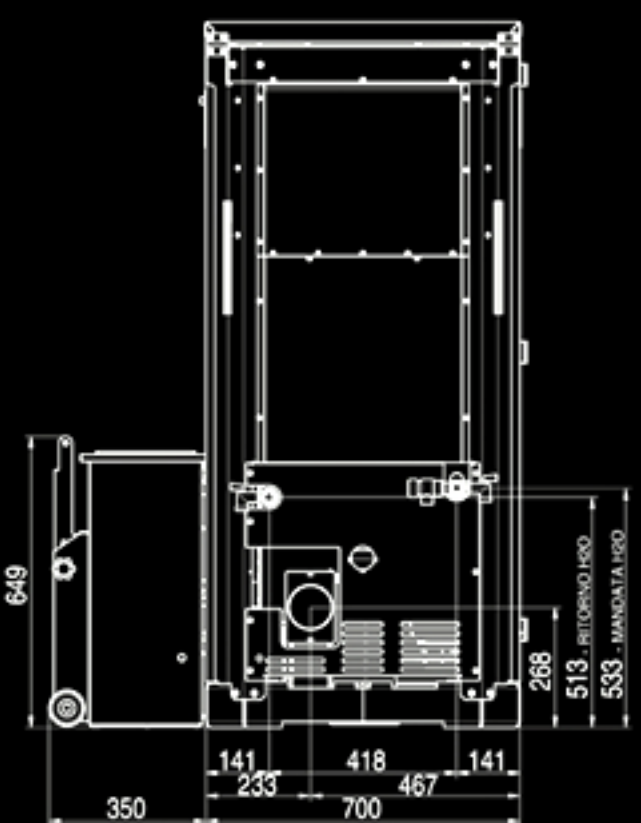
THERMOPUFFER 500
mm
2148x756x756

THERMOSOLE® 2.6
mm
2151x1215x110

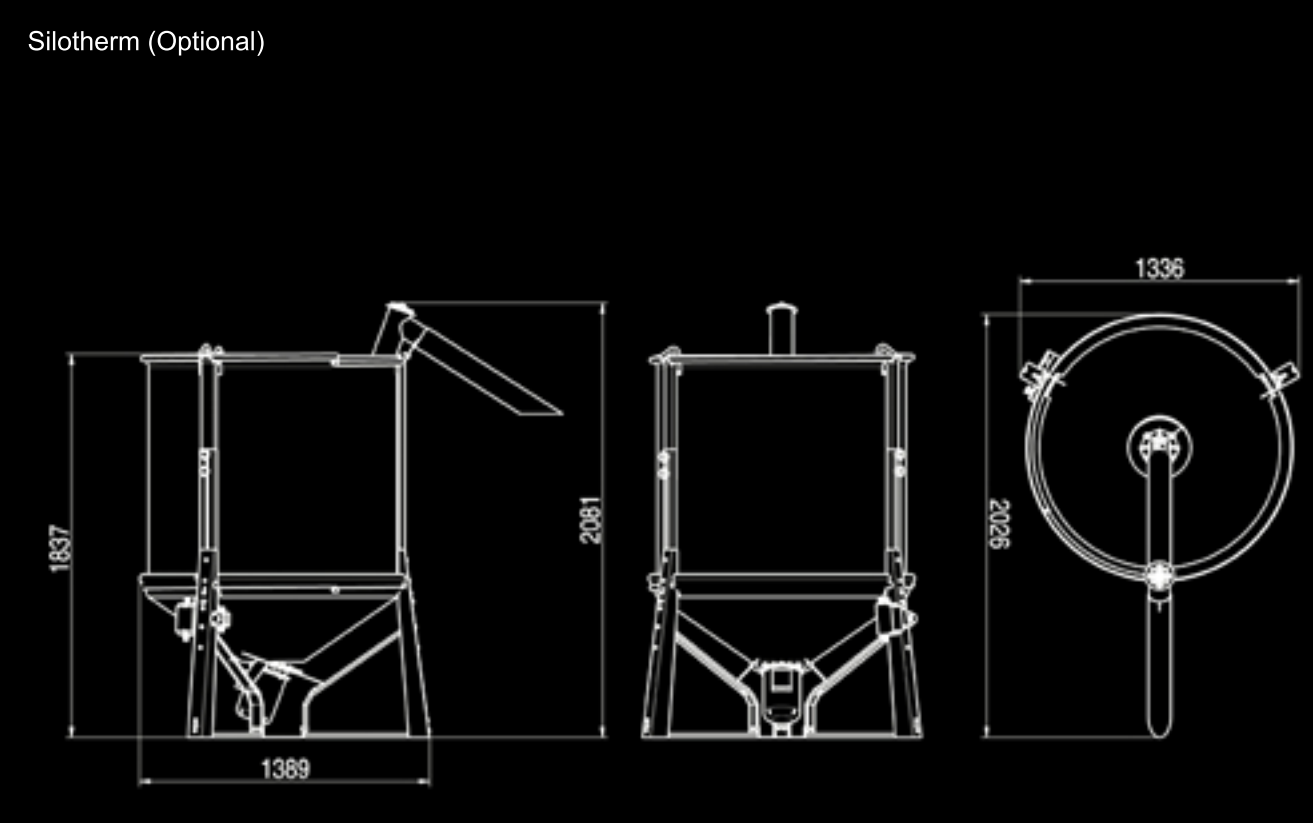
[mm] MISURE (HxLxP)
[mm] Abmessungen (HxBxP)
[mm] Dimensions (HxWxP)
[mm] Dimensions (HxLxP)
[mm] Dimensiones (AxAxP)

THERMOCELL 500®
mm
2179x756x987

THERMOCELL 400®
mm
1879x756x987



CompactMatic 32



Silotherm (Optional)